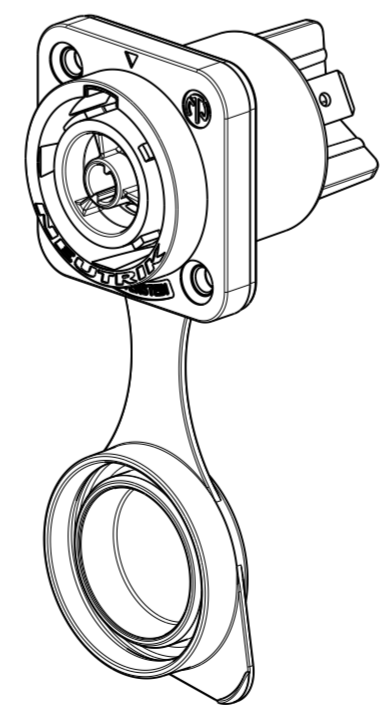


Frontplattenausschnitt (Rückseite)
panel cutout (rear side)



1:1

APPLIANCE OUTLET!

| | | | | | |
|---------------------|----------------|--------------|---------------------------------|------------------------------------|------------------------|
| Sheet Number 1/1 | Projection | Scale 2:1 | Format A2 | General Tolerancing ISO 2768 mK | |
| Description | | | Created on/by | 09.05.2023 | Gerber G. |
| NAC3FPX-TRUE1 | | | Approved on/by | | |
| | | | Article ID NAC3FPX-TR UE1 | Model ID 30010623 | Drawing ID 20006061 |
| Status | | | Revision | EEN Number | |
| | | | - | - | |