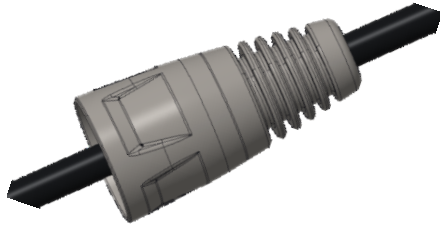




# ASSEMBLY INSTRUCTION

## RCX\*F-Z | IP65 XLR Female Cable Connector

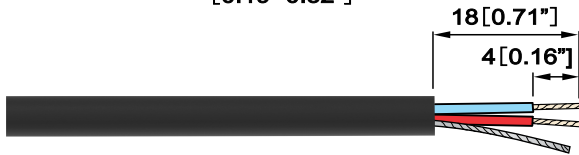
Ⓐ



Ⓐ Slide the boot onto the cable.

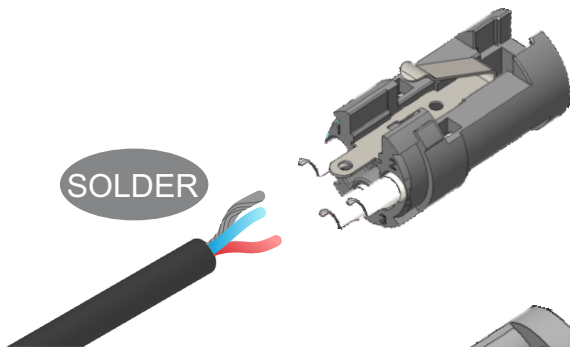
Cable O.D.: 5.0 - 8.0 mm  
[0.19- 0.32"]

Ⓑ



Ⓑ Prepare cable as shown.

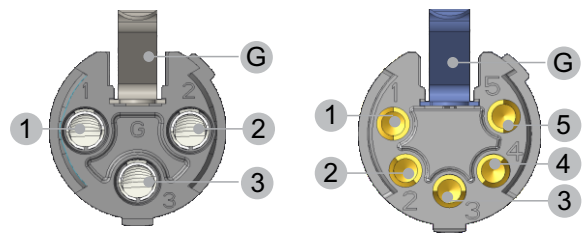
Ⓒ



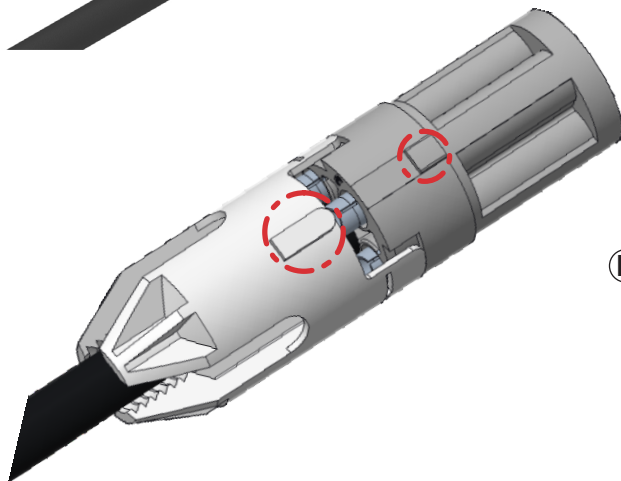
Ⓒ Insert wires into terminals and solder them.

Wiring : 3 pole

5 pole



Ⓓ



Ⓓ Put chuck onto the cable.

**Attention: Pay attention to the guiding key**

XLR Cable Connectors:  
Find more details on  
[www.rean-connectors.com](http://www.rean-connectors.com)

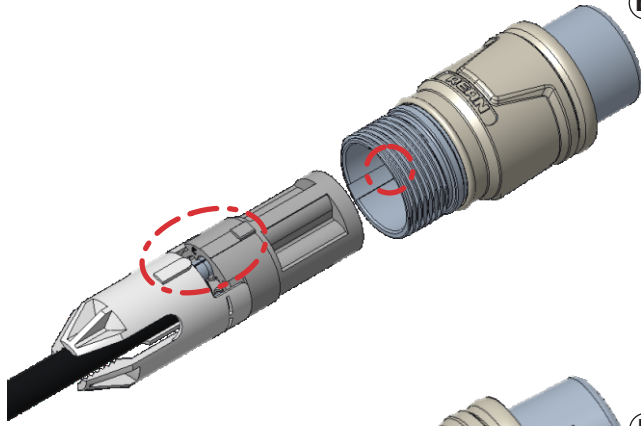


Neutrik AG LI T: +423 / 237 24 24 F: +423/232 53 93  
Neutrik USA Inc. USA T: +1 704 / 972 3050 F: +1 704/438 9202  
Neutrik (UK) Ltd. UK T: +44 1983 / 811 441 F: +44 1983/811 439  
Neutrik Vertriebs GmbH DE/NL/AT/DK T: +49 8131 / 280 890 F: +49 8131/280 830

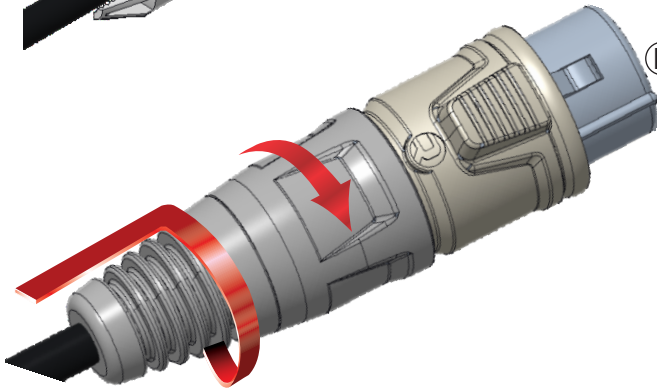
Neutrik France FR T: +33 1/4131 6750 F: +33 1/4131 0511  
Neutrik Tokyo Ltd. JP T: +81 3/3663 4733 F: +81 3/3663 4796  
Neutrik Hong Kong Ltd. HK T: +852/2687 6055 F: +852/2687 6052  
Neutrik Trading Ltd. CN T: +0574/8825 0833 F: +0574/8826 5000

Draft. Nr.: NCN 003 | Update: 2021-03-09 | Data subject to change without prior notice. © 2021 REAN®. REAN® is registered trademark of Neutrik AG. ALL RIGHTS RESERVED.

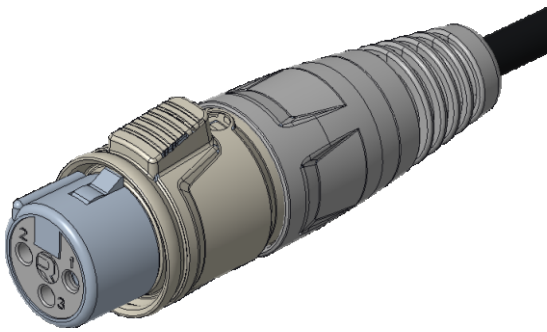
**E** Slide chuck and insert into the housing.  
**Attention: Align the insert by positioning as shown**



**F** Finish the assembly by turning the bushing onto the connector.



**G** Finish



XLR Cable Connectors:  
 Find more details on  
[www.rean-connectors.com](http://www.rean-connectors.com)



Neutrik AG	LI	T: +423 / 237 24 24	F: +423 / 232 53 93	Neutrik France	FR	T: +33 1 / 4131 6750	F: +33 1 / 4131 0511
Neutrik USA Inc.	USA	T: +1 704 / 972 3050	F: +1 704 / 438 9202	Neutrik Tokyo Ltd.	JP	T: +81 3 / 3663 4733	F: +81 3 / 3663 4796
Neutrik (UK) Ltd.	UK	T: +44 1983 / 811 441	F: +44 1983 / 811 439	Neutrik Hong Kong Ltd.	HK	T: +852 / 2687 6055	F: +852 / 2687 6052
Neutrik Vertriebs GmbH	DE/NL/AT/DK	T: +49 8131 / 280 890	F: +49 8131 / 280 830	Neutrik Trading Ltd.	CN	T: +0574 / 8825 0833	F: +0574 / 8826 5000

Draft. Nr.: NCN 003 | Update: 2021-03-09 | Data subject to change without prior notice. © 2021 REAN®. REAN® is registered trademark of Neutrik AG. ALL RIGHTS RESERVED.

[www.rean-connectors.com](http://www.rean-connectors.com)

**REAN**®