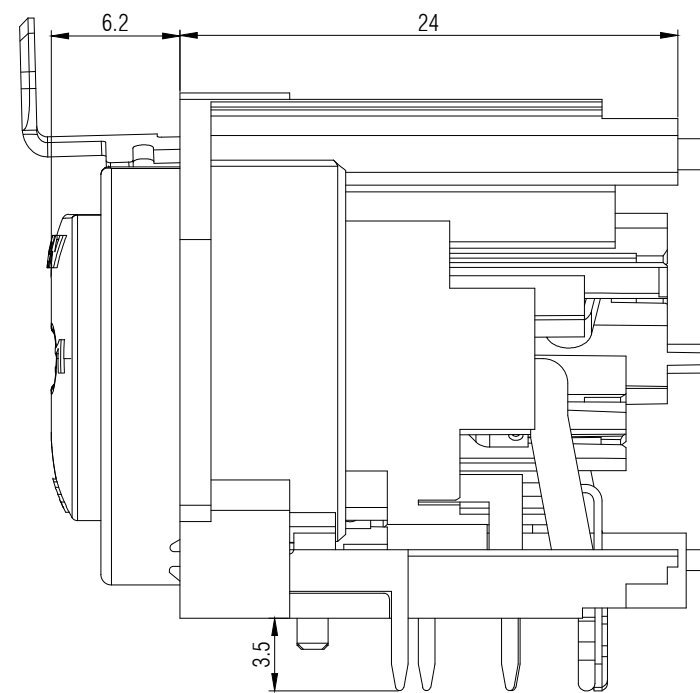
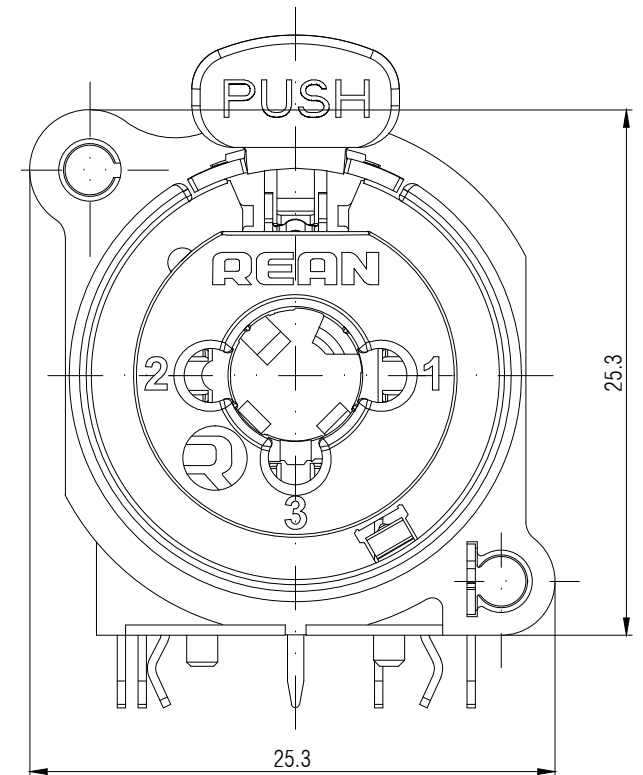


PCB Layout(Component side)

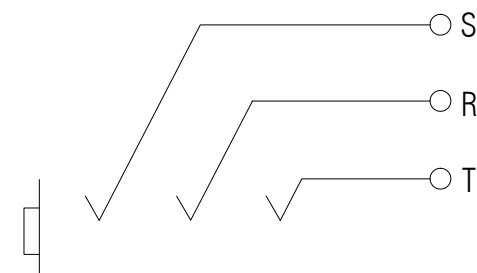


Panel cut out(Rear side)

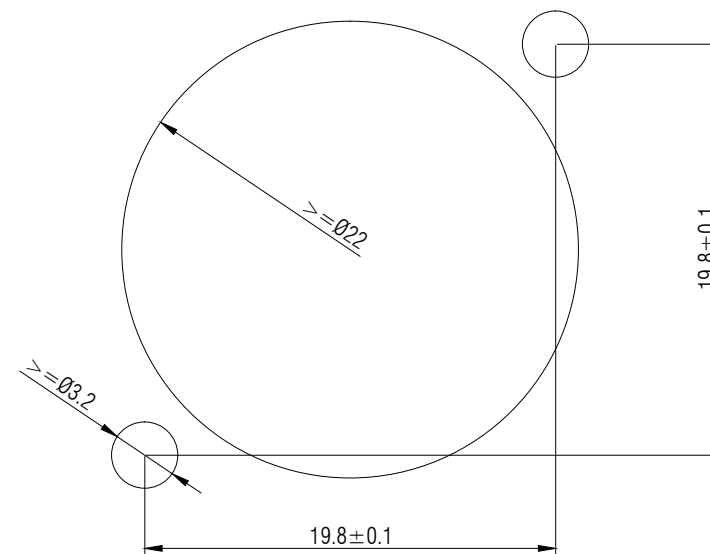
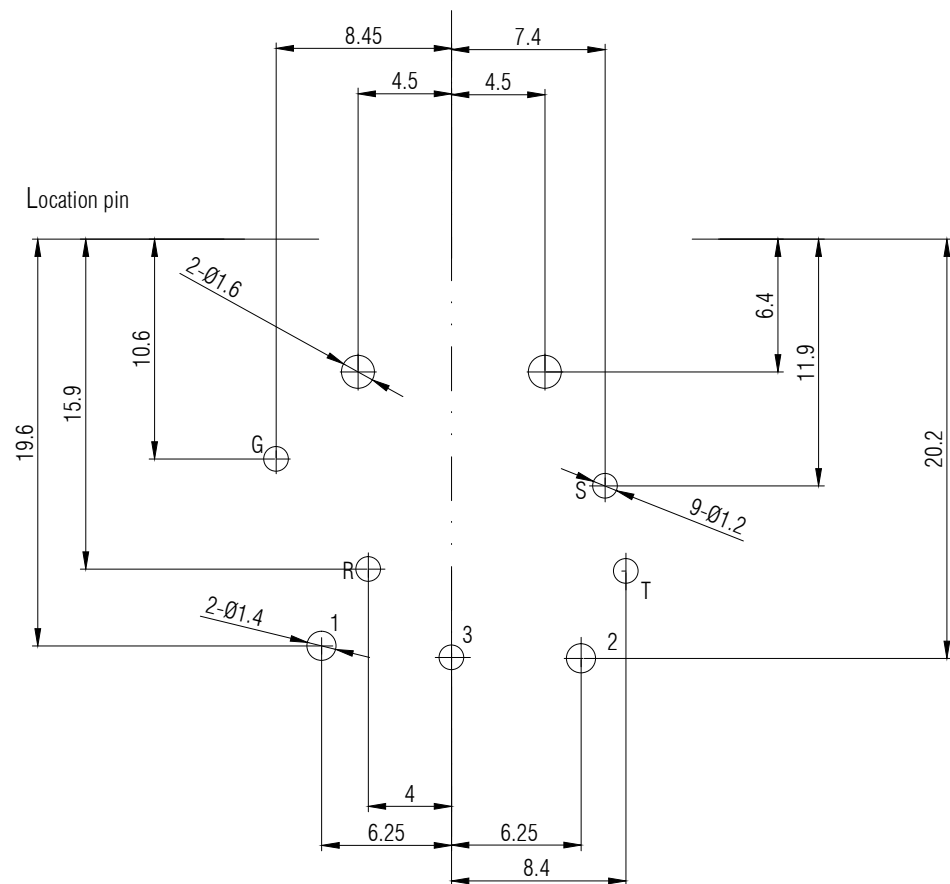
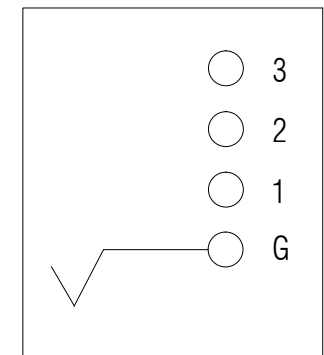


Normalling-Schemes

Jack- Normalling



XLR



Note:

1. All dimensions in mm.
2. Tolerances not specified is  $\pm 0.20\text{mm}$ .

THIS DOCUMENT IS THE PROPERTY OF NEUTRIK. NO PART THEREOF MAY BE REPRODUCED AND USED WITHOUT THE PRIOR WRITTEN CONSENT OF THE OWNER				Material:	Scale:	Date:	Name:
					3 : 1 (A3)	2020.01.08	Jacky
Title:  RCJ6FA-H				Checked:		2020.01.08	Abraham
				Approved:			
Rev.				Replaces:			1
				Replaces:			1
REAN				Drawing No.:		3.664.033	
				Date		Name	