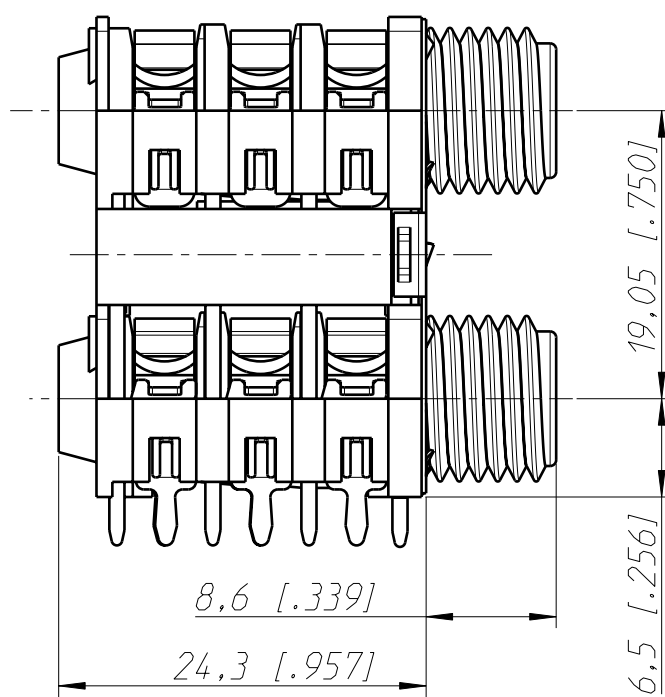
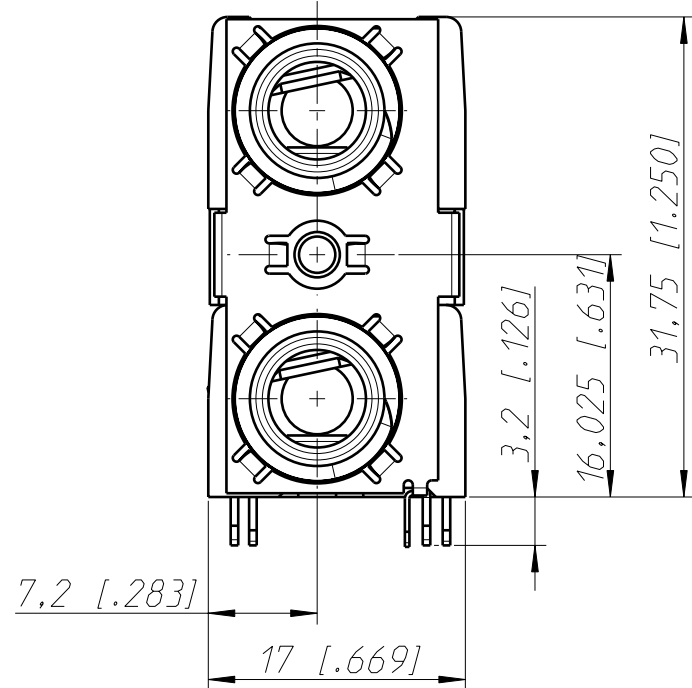
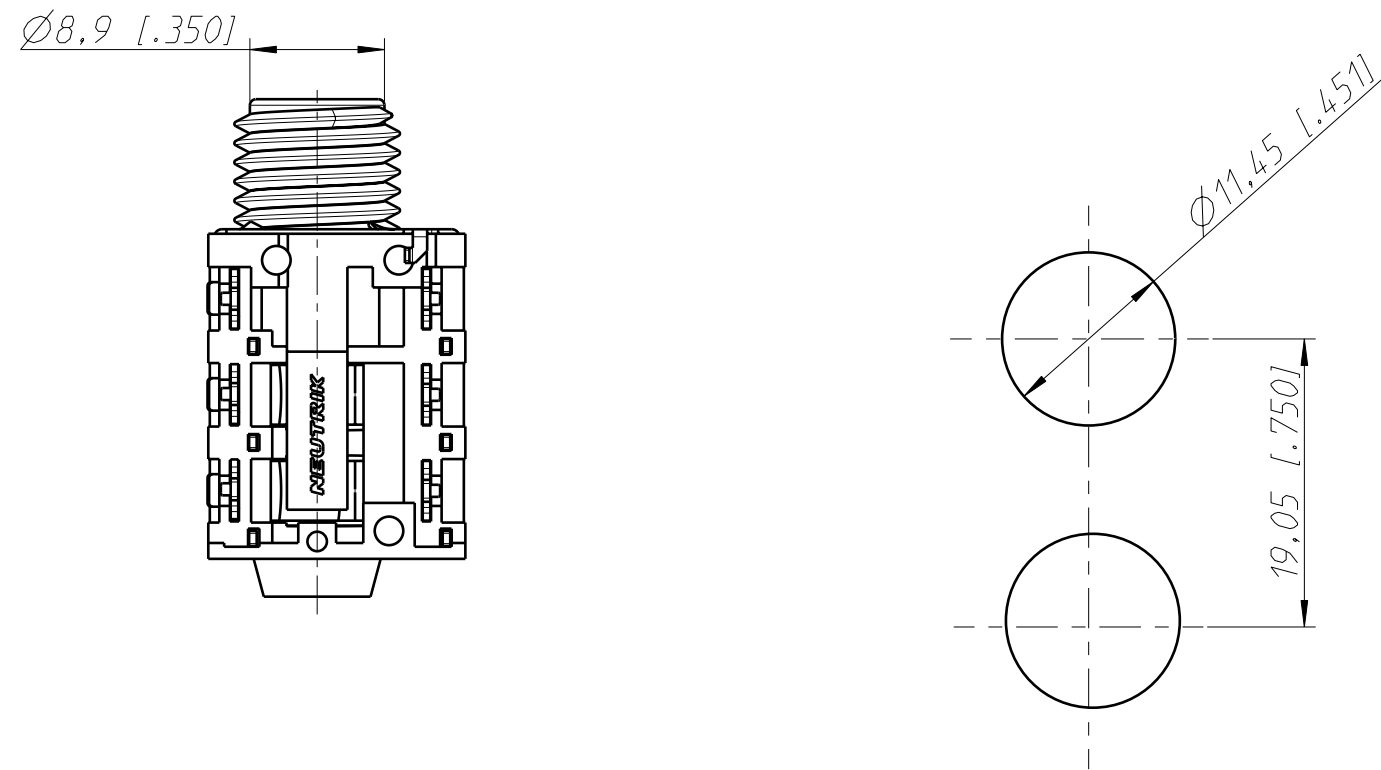
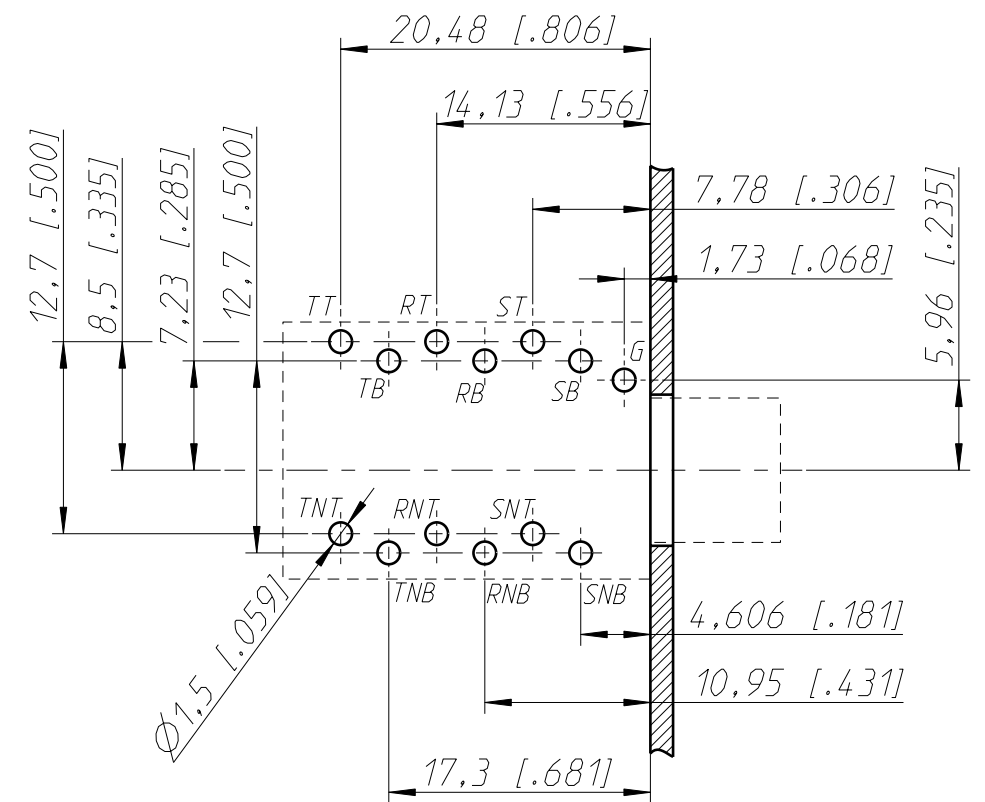


Frontplattenausschnitt (Rückseite)  
Panel cut out (rear side)



Print Bohrplan Bestückungsseite  
PCB-Layout (component side)



Sheet Number 1/1	Projection 	Scale 2:1	Format A3	Tolerancing ISO 2768-mK	
ECN Number -			Created	11.04.2003	nmi
Description  NSJ12HF-1			Modified	19.02.2021	mmu
			Approved	19.02.2021	phk
			Status	Released	
<b>NEUTRIK</b>	3D Model ID NSJ12HF-1	Document ID ST-NSJ12HF-1	Revision -		