



APPLICATION & ASSEMBLY INSTRUCTION

NAC3FX-W-TOP-L | powerCON® TRUE1 TOP

A. APPLICATION INSTRUCTION

APPLICATION:

- The powerCON TRUE1 system is certified as a connector with breaking capacity according IEC 60320, VDE 0625.
- It is intended for use as an appliance coupler and interconnection coupler.
- It serves to supply power to an appliance and from an appliance to other equipment.
- To be installed by qualified person only.

CONNECTOR ASSIGNMENT:

APPLIANCE INLET

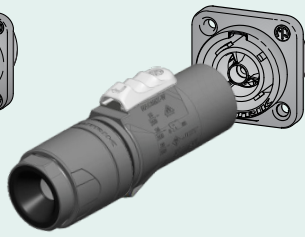
NAC3MPX-TOP
NAC3MPX-WOT-TOP
Power IN ▶



NAC3FX-W-TOP-L

APPLIANCE OUTLET

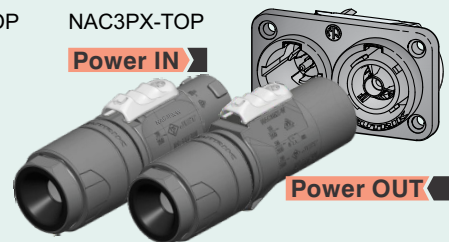
NAC3FPX-TOP
NAC3FPX-WOT-TOP
NAC3FPX-ST-TOP
Power OUT ◀



NAC3MX-W-TOP-L

APPLIANCE INLET / OUTLET ▶ Combination

NAC3PX-TOP
Power IN ▶



NAC3MX-W-TOP-L

▶ powerCON TRUE1 TOP line is full backward compatible with the preceding powerCON TRUE1 products.

Approval based:

EUROPE
EN 60320-1



USA/CANADA

UL 60320-1
CAN/CSA-C22.2 No. 60320-1



Rating:

250 V ac / 16 A

250 V ac / 20 A

Wire size:

2.5 mm²

14 - 12 AWG

Compliance confirmed with:

H07RN-F

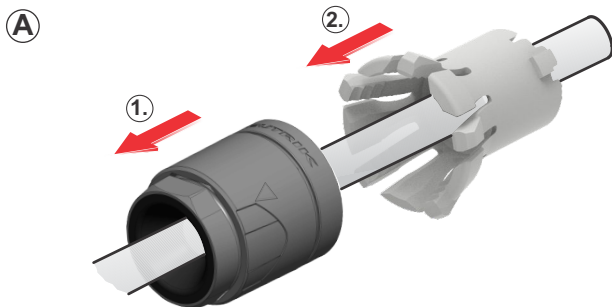
SOOW 12/3, SOOW 14/3

Cable O.D.:

10.0 - 16.0 mm (0.39 - 0.63")

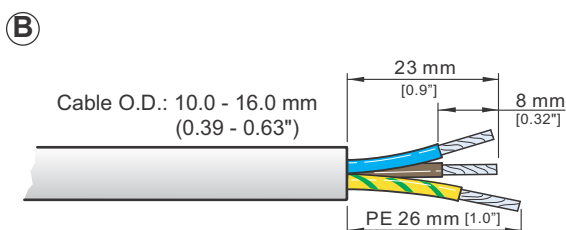
10.0 - 16.0 mm (0.39 - 0.63")

B. ASSEMBLY INSTRUCTION

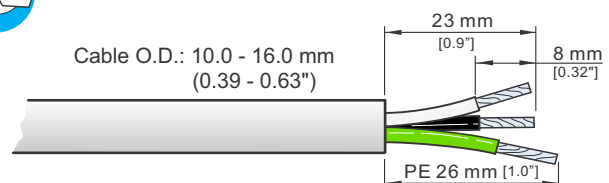


Place bushing (1) and chuck (2) over the cable.

Important: Chuck and Bushing cannot be placed over the cable after the assembly of the insert.



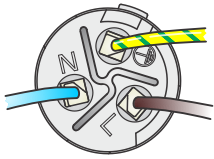
Prepare cable as shown.



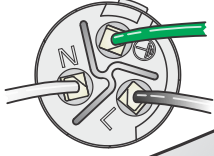
• **EUROPE**
(EN 60320-1)

• **USA/CANADA**
(UL 60320-1 / CAN/CSA-C22.2 No. 60320-1)

C EUROPE



USA/CANADA



Torx size T8
Torque Value 0.7 Nm
(6.2 inch pound)

Slide the cable into the contacts and clamp with the screw with Torx size T8.

Wiring	EUROPE	USA/CANADA
L ⇒	brown	black
N ⇒	blue	white
⏚ ⇒	green/yellow	green

D

Important:
Push and turn simultaneously.

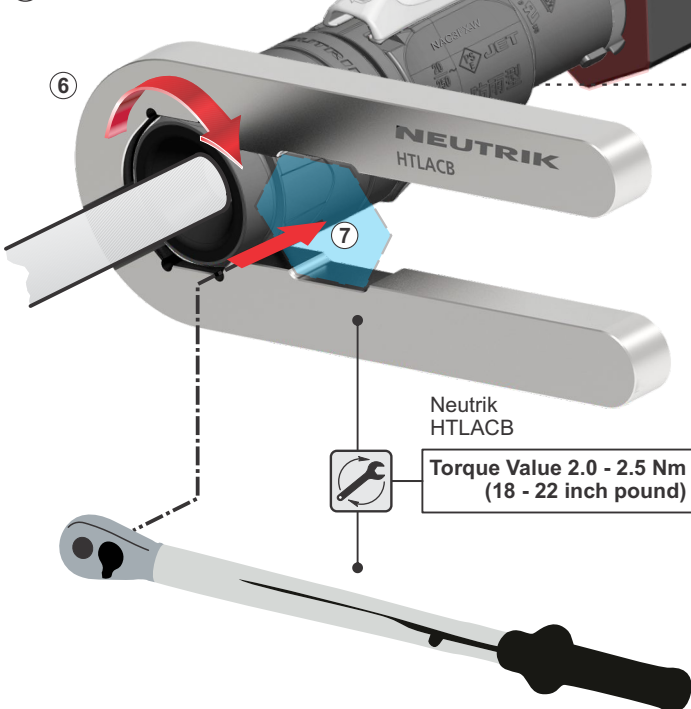


Position chuck (3) on insert (1).
Slide insert (1) with chuck (3) together into housing (2).

Important: Align the chuck by positioning the nose into keyway.

Slide bushing (4) over chuck (3). Hold the connector with the NEUTRIK tool (5) and tighten bushing with the NEUTRIK tool (6) as shown.

E



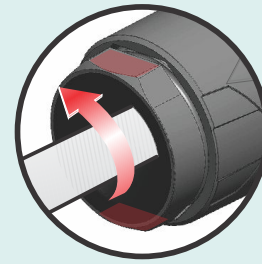
For an exact mounting position use a torque wrench with 19 mm (3/4 inch) hex bit (7) and tighten it with 2.0–2.5 Nm (18–22 inch pound).

Important: Black O-ring to be covered by the bushing to achieve IP protection (8).

NEUTRIK tool:	(5)	HTLACA
	(6)	HTLACB

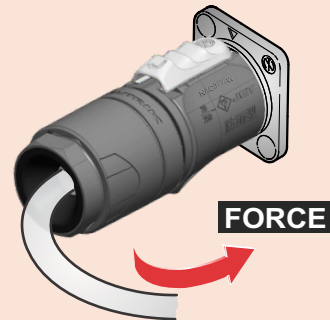
FOR DISASSEMBLY!

1. Use the Neutrik tool HTLACB.
2. Position the tool on the surfaces and open the clamping sleeve.



CAUTION

To ensure protection category, do not expose the connection to bending forces (e.g. do not attach loads to the cable, no free-dangling cable windings etc.).



SAFETY WARNING

For safety and certification reasons the connector must be replaced in case of any broken parts or excessive wear and tear.

Find more details of powerCON TRUE1 TOP on www.neutrik.com.



Neutrik AG LI T: +423 / 237 24 24 F: +423/232 53 93
 Neutrik USA Inc. USA T: +1 704 / 972 3050 F: +1 704/438 9202
 Neutrik (UK) Ltd. UK T: +44 1983 / 811 441 F: +44 1983/811 439
 Neutrik Vertriebs GmbH DE/NL/AT/DK T: +49 8131 / 280 890 F: +49 8131/280 830

Neutrik France FR T: +33 1/4131 6750 F: +33 1/4131 0511
 Neutrik Tokyo Ltd. JP T: +81 3/3663 4733 F: +81 3/3663 4796
 Neutrik Hong Kong Ltd. HK T: +852/2687 6055 F: +852/2687 6052

Draft. Nr.: BDA 624 V2 | Update: 2021-11-18 | Data subject to change without prior notice. © 2021 NEUTRIK®, NEUTRIK® / powerCON® are registered trademark of Neutrik AG. ALL RIGHTS RESERVED.