



SAFETY & ASSEMBLY INSTRUCTION

powerCON® HC | Locking 2P+PE AC appliance coupler

IMPORTANT SAFETY INSTRUCTION

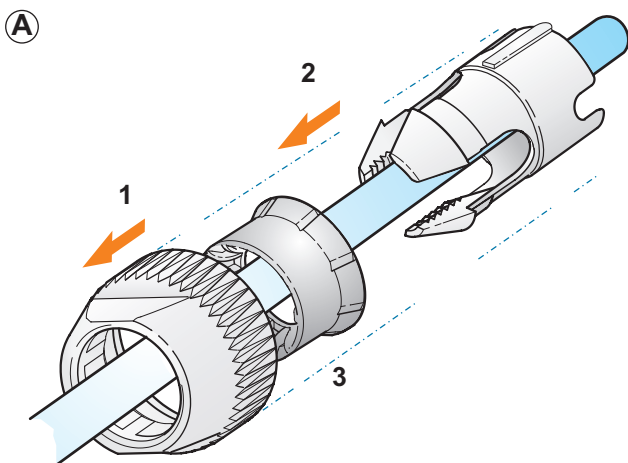


- Caution: Connector without breaking capacity acc. IEC 61984 - must not be engaged or disengaged when under load or live.
- Attention: Ne pas utiliser pour couper le courant.

FEATURES

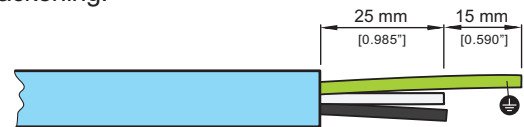
- 250 Vac, 32 Amp (at ambient temperatures up to 35°C) / 30 Amp for cUR
- Cable O.D. 17 mm (general range: 8.0 to 20.0 mm)
- Wiring: Cable Connector: Screw-type terminals for stranded wires 6.0 mm² (AWG 10)
Chassis Connector: Screw-type terminals for wires 6.0 mm² (AWG 10)

ASSEMBLY INSTRUCTIONS | CABLE CONNECTOR

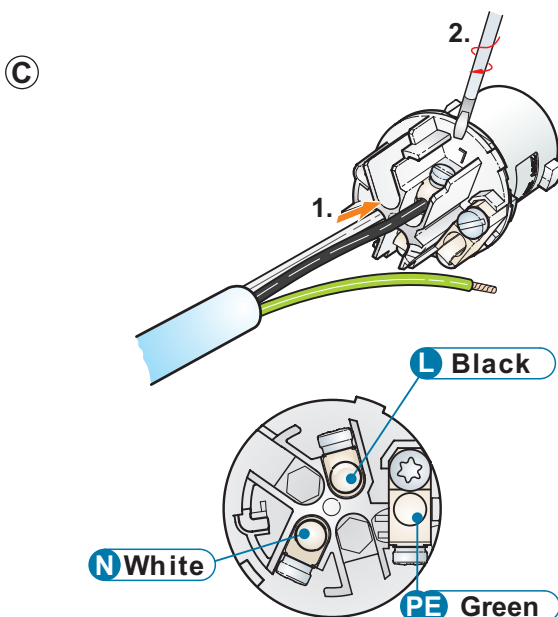


- A** Slide bushing (1) and chuck (2) onto the cable end.
If cable O.D.:
Less 15 mm please use reduction piece (3).

- B** Prepare cable as shown.
Consider excessive length of PE conductor for slackening.



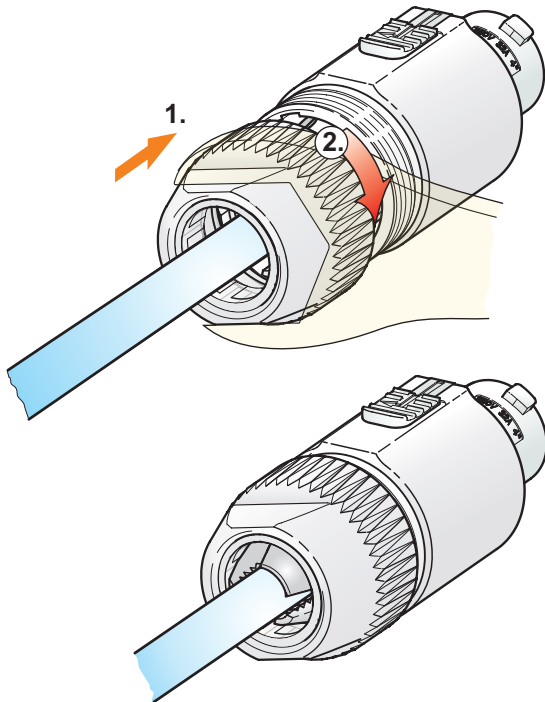
Strip the wires.



- C** Insert wires into terminals L, PE and tighten.
ATTENTION: Max torque 150 cNm
- Wiring (left):



D



D

1. Push insert and chuck into housing.

Important: Align the chuck and insert by positioning the nose into keyway.

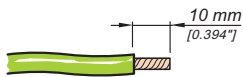
2. Tighten bushing using open wrench 27 mm, min. torque 3.5 Nm.

Assembled Connector

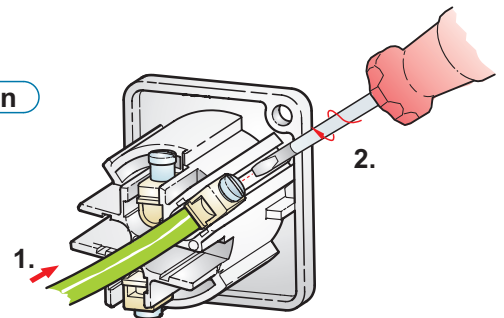
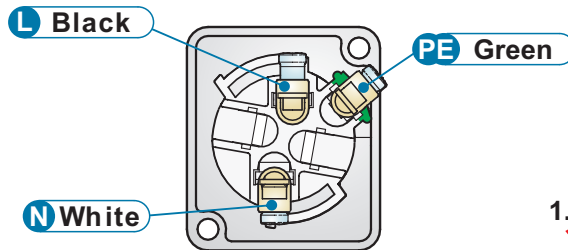
ASSEMBLY INSTRUCTIONS | RECEPTACLE

Wiring:

Strip the wires.

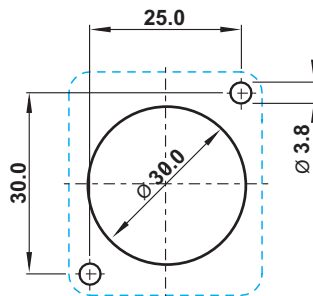


Insert wires to terminals and tighten.



ATTENTION: Max torque 150 cNm

Panel cutout (rear side):



Note:

Conductor colors according to color coding of North American cords.

NEUTRIK AG	LI	T: +423 / 237 24 24	F: +423 / 232 53 93	NEUTRIK France	FR	T: +33 1 / 4131 6750	F: +33 1 / 4131 0511
NEUTRIK USA Inc.	USA	T: +1 704 / 972 3050	F: +1 704 / 438 9202	NEUTRIK Tokyo Ltd.	JP	T: +81 3 / 3663 4733	F: +81 3 / 3663 4796
NEUTRIK (UK) Ltd.	UK	T: +44 1983 / 811 441	F: +44 1983 / 811 439	NEUTRIK Hong Kong Ltd.	HK	T: +852 / 2687 6055	F: +852 / 2687 6052
NEUTRIK Vertriebs GmbH	DE/NL/AT/DK	T: +49 8131 / 280 890	F: +49 8131 / 280 830				