



yellobrik®

yellobrik®

Quick Reference

Technical Specifications

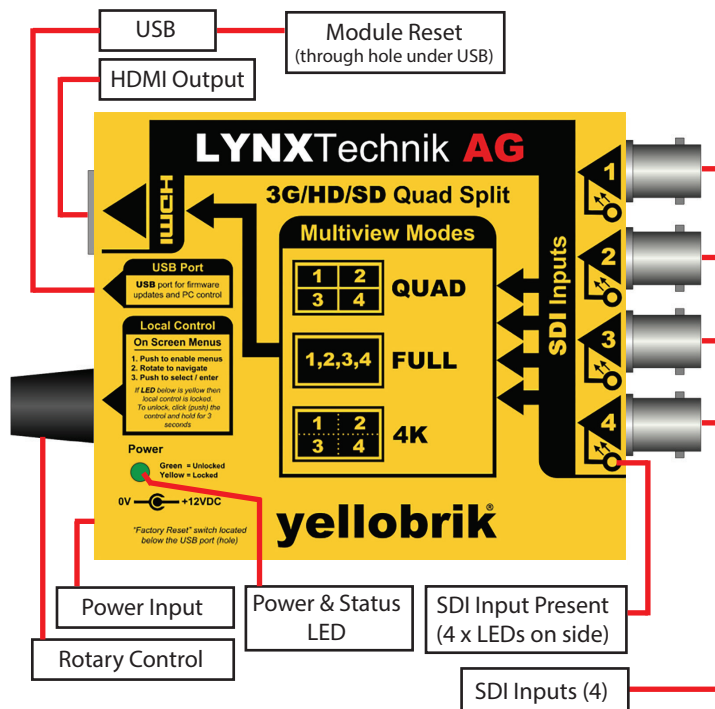
SDI Inputs	4 x SDI inputs on 75Ω BNC connectors with LEDs for signal presence indication	
	SMPTE 424M, SMPTE 292M, SMPTE 259M 3G Level A & B-DL according to SMPTE ST 425-1 with image formats 1280 x 720 and 1920 x 1080 For a detailed list of supported formats please refer to the corresponding article in our knowledge base (www.lynx-technik.com > support > tech.support)	
	Return Loss: >15dB from 5MHz to 1.5GHz >10dB from 1.5GHz to 3GHz	
	Automatic cable EQ (Belden 1694A cable) 340m @ 270Mbit/s, 150m @ 1.5Gbit/s, 120m @ 3Gbit/s	
4k Inputs	UHD	3840 x 2160 (Quad SDI Input)
	DCI	4096 x 2160 (Quad SDI Input)
HDMI Output	1 x HDMI output (Type A Connector)	
	HDMI standard: 1.4a	
	2 channels of embedded audio	
Local Control	On screen menu system accessed using rotary push encoder	
USB	Mini "Type B" USB port for firmware updates and yelloGUI control	
Power	+12VDC @ 4.9W nominal (supports 7 - 24VDC input range)	

We are constantly adding more yellobrik modules. Please visit our website for the latest product updates.

www.lynx-technik.com

PMV 1841 Quad Split Multiviewer

Module Layout / Controls / Connections



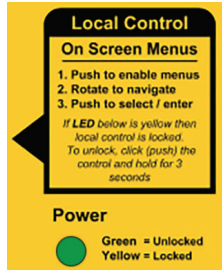
Connections

The PMV 1841 has 4 x 3G/HD/SD-SDI inputs using standard 75Ohm BNC connectors. The output is an HDMI connector (type A) designed to connect to an HDMI display monitor. A USB port is also provided which is used for firmware updates and PC/MAC control using the yelloGUI software application. (Type B Mini USB - cable supplied)

Operation

The module has an integrated menu system which is displayed on the connected HDMI monitor. To enable the OSD (On Screen Display) menu push the rotary control and the menu will appear. Operation is intuitive, navigate through the menu selections by rotating the control and push the rotary control to make a selection.

It is possible to “lock” the OSD menu to prevent it being accidentally switched on if the rotary control is bumped.



To Lock - Go to the “General” page in the menu and select “OSD Lock”. This will lock the control and turn the power LED yellow to indicate the lock is switched on.

To Unlock - Simply click (push) the rotary control for approx 3 seconds and the menu will appear. (LED will be green)

Modes of Operation

The module supports 3 basic modes of operation.

1. Quad Split - all four SDI inputs are shown in a fixed position quadrant display on the HDMI output. Each input supports individually configured monitoring tools and overlays.

2. Full Screen - one of the four SDI inputs can be displayed full screen. In this mode the first 2 SDI embedded audio channels are embedded into the HDMI output.

3. 4K (12G) Monitoring - in 4K mode the module will take the 4 SDI inputs and “stitch” them together for a full screen display. The HDMI output is down converted to HD, and no audio or monitoring tools are possible in 4K mode (image only).

USB Port

The USB port is used for firmware updates and for PC/MAC control using the **yelloGUI** software. Download **yelloGUI** from our website:

www.lynx-technik.com > support > downloads > yelloGUI software

Firmware updates are always provided free of charge and are available via the **yelloGUI**.

Need More Detailed Information?

A manual is available for download from our website, simply navigate to the product page and look for the download link.

Power Lead Strain Relief

The module has a small hole in the case located above the power connection. To prevent the power lead being accidentally pulled out, use the supplied tie-wrap and secure the lead as shown below.



Module Mounting

The module has some velcro supplied for basic mounting. An optional mounting bracket is available (**RFR 1001**) and the module is also compatible with the 19” frame with central power (**RFR 1000**).