



# APPLICATION & ASSEMBLY INSTRUCTION

## NAC3MX-W-TOP-L | powerCON® TRUE1 TOP

### A. APPLICATION INSTRUCTION

#### APPLICATION:

- The powerCON TRUE1 system is certified as a connector with breaking capacity according IEC 60320, VDE 0625.
- It is intended for use as an appliance coupler and interconnection coupler.
- It serves to supply power to an appliance and from an appliance to other equipment.
- To be installed by qualified person only.

#### CONNECTOR ASSIGNMENT:

##### APPLIANCE INLET

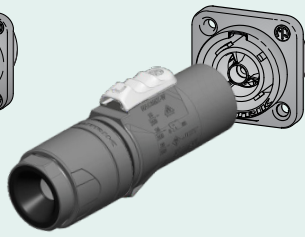
NAC3MPX-TOP  
NAC3MPX-WOT-TOP  
**Power IN** ▶



NAC3FX-W-TOP-L

##### APPLIANCE OUTLET

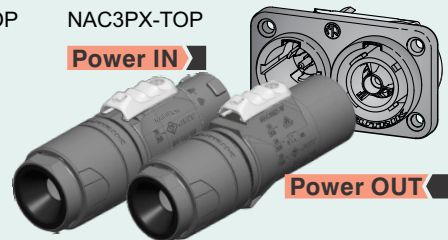
NAC3FPX-TOP  
NAC3FPX-WOT-TOP  
NAC3FPX-ST-TOP  
**Power OUT** ◀



NAC3MX-W-TOP-L

##### APPLIANCE INLET / OUTLET ▶ Combination

NAC3PX-TOP  
**Power IN** ▶



**Power OUT** ◀

NAC3MX-W-TOP-L

▶ powerCON TRUE1 TOP line is full backward compatible with the preceding powerCON TRUE1 products.

#### Approval based:

**EUROPE**  
EN 60320-1



#### USA/CANADA

UL 60320-1  
CAN/CSA-C22.2 No. 60320-1



#### Rating:

250 V ac / 16 A

250 V ac / 20 A

#### Wire size:

2.5 mm<sup>2</sup>

14 - 12 AWG

#### Compliance confirmed with:

H07RN-F

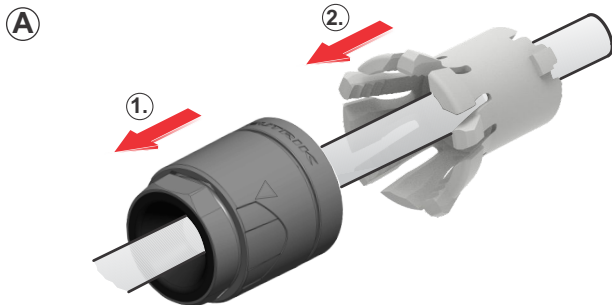
SOOW 12/3, SOOW 14/3

#### Cable O.D.:

10.0 - 16.0 mm (0.39 - 0.63")

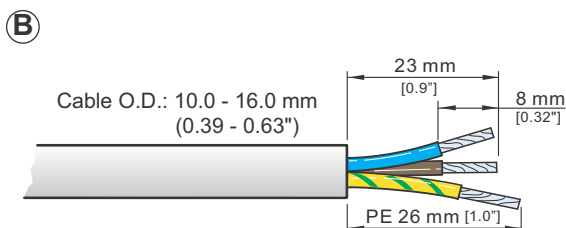
10.0 - 16.0 mm (0.39 - 0.63")

### B. ASSEMBLY INSTRUCTION

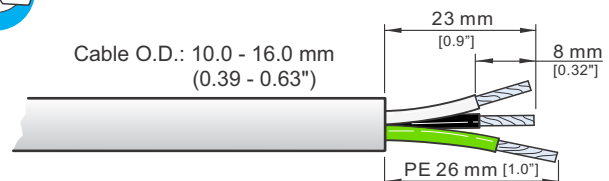


Place bushing (1) and chuck (2) over the cable.

**Important: Chuck and Bushing cannot be placed over the cable after the assembly of the insert.**



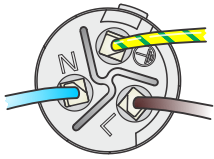
Prepare cable as shown.



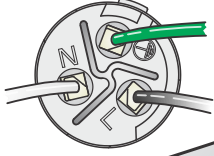
• **EUROPE**  
(EN 60320-1)

• **USA/CANADA**  
(UL60320-1 / CAN/CSA-C22.2 No. 60320-1)

**C EUROPE**



**USA/CANADA**

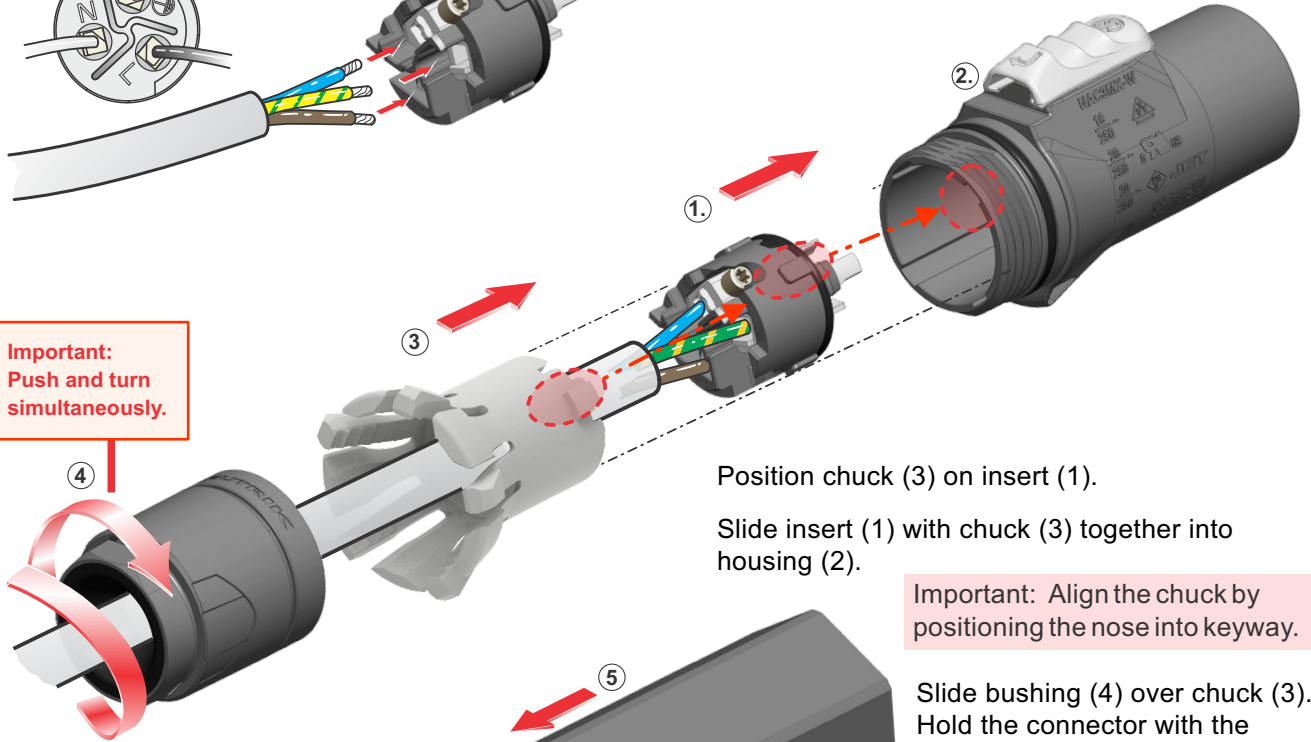


Torx size T8  
Torque Value 0.7 Nm (6.2 inch pound)

Slide the cable into the contacts and clamp with the screw with Torx size T8.

Wiring	EUROPE	USA/CANADA
L ⇒	brown	black
N ⇒	blue	white
⊥ ⇒	green/yellow	green

**D Important: Push and turn simultaneously.**

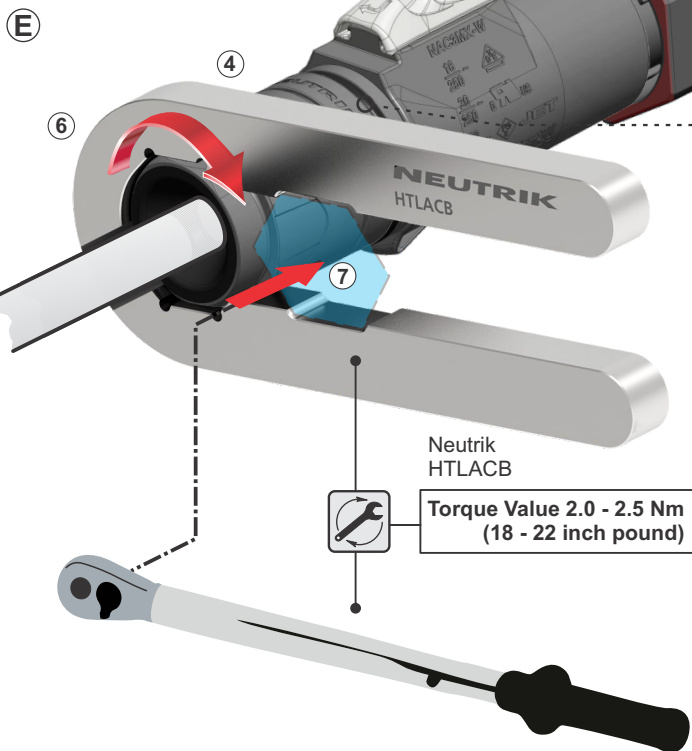


Position chuck (3) on insert (1).

Slide insert (1) with chuck (3) together into housing (2).

**Important: Align the chuck by positioning the nose into keyway.**

Slide bushing (4) over chuck (3). Hold the connector with the NEUTRIK tool (5) and tighten bushing with the NEUTRIK tool (6) as shown.



Neutrik HTLACB  
Torque Value 2.0 - 2.5 Nm (18 - 22 inch pound)

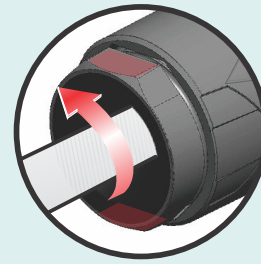
For an exact mounting position use a torque wrench with 19 mm (3/4 inch) hex bit (7) and tighten it with 2.0–2.5 Nm (18–22 inch pound).

**Important: Black O-ring to be covered by the bushing to achieve IP protection (8).**

NEUTRIK tool:	(5)	HTLACA
	(6)	HTLACB

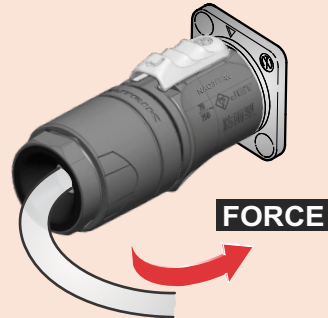
**FOR DISASSEMBLY!**

1. Use the Neutrik tool HTLACB.
2. Position the tool on the surfaces and open the clamping sleeve.



**CAUTION**

To ensure protection category, do not expose the connection to bending forces (e.g. do not attach loads to the cable, no free-dangling cable windings etc.).



**SAFETY WARNING**

For safety and certification reasons the connector must be replaced in case of any broken parts or excessive wear and tear.

Find more details of powerCON TRUE1 TOP on [www.neutrik.com](http://www.neutrik.com).



<b>Neutrik AG</b>	<b>LI</b>	T: +423 / 237 24 24	F: +423/232 53 93	<b>Neutrik France</b>	<b>FR</b>	T: +33 1/4131 6750	F: +33 1/4131 0511
<b>Neutrik USA Inc.</b>	<b>USA</b>	T: +1 704 / 972 3050	F: +1 704/438 9202	<b>Neutrik Tokyo Ltd.</b>	<b>JP</b>	T: +81 3/3663 4733	F: +81 3/3663 4796
<b>Neutrik (UK) Ltd.</b>	<b>UK</b>	T: +44 1983 / 811 441	F: +44 1983/811 439	<b>Neutrik Hong Kong Ltd.</b>	<b>HK</b>	T: +852/2687 6055	F: +852/2687 6052
<b>Neutrik Vertriebs GmbH</b>	<b>DE/NL/AT/DK</b>	T: +49 8131 / 280 890	F: +49 8131/280 830				

Draft. Nr.: BDA 625 V1 | Update: 2021-11-18 | Data subject to change without prior notice. © 2021 NEUTRIK®, NEUTRIK® / powerCON® are registered trademark of Neutrik AG. ALL RIGHTS RESERVED.