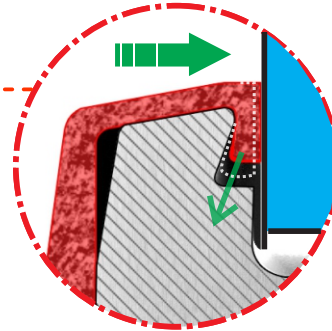
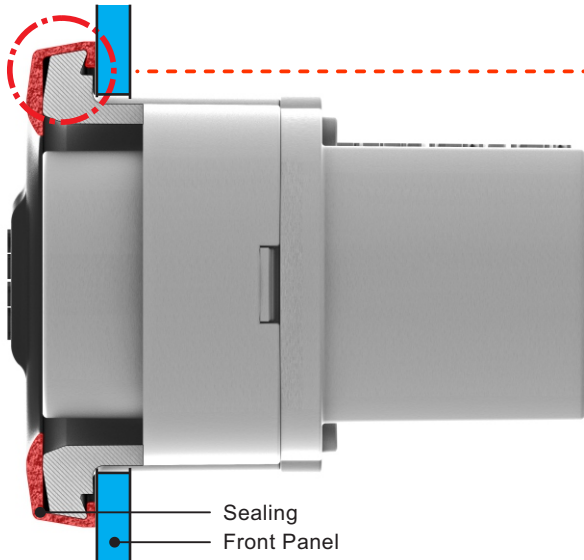




ASSEMBLY INSTRUCTION

etherCON | CAT6A Chassis Connector
NE8FDX-Y6-W with rubber sealing - IP65

ASSEMBLY INSTRUCTION

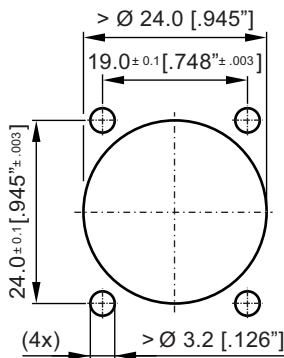


Flange shape ensures proper sealing.

Attention:

- Sealing must be positioned well
- Diameter of countersunk screw head min. 5.5 mm
- Maximum allowable torque 0.4 Nm

Panel Cutout (Rear Side)



NEUTRIK AG	LI	T: +423/237 24 24	F: +423/232 53 93	NEUTRIK France	FR	T: +33 1/4131 6750	F: +33 1/4131 0511
NEUTRIK USA Inc.	USA	T: +1 704/972 3050	F: +1 704/438 9202	NEUTRIK Tokyo Ltd.	JP	T: +81 3/3663 4733	F: +81 3/3663 4796
NEUTRIK (UK) Ltd.	UK	T: +44 1983/811 441	F: +44 1983/811 439	NEUTRIK Hong Kong Ltd.	HK	T: +852/2687 6055	F: +852/2687 6052
NEUTRIK Vertriebs GmbH	DE/NL/AT/DK	T: +49 8131/280 890	F: +49 8131/280 830	NEUTRIK India Pvt. Ltd.	IND	T: +91/982 05 43 424	F: +91/22 26163 540

Draft. Nr.: BDA 442-2 | Update: 13.07.2016 | Data subject to change without prior notice. ©2015 NEUTRIK®. ALL RIGHTS RESERVED. NEUTRIK® are registered trademark.

www.neutrik.com

NEUTRIK®