

Analog Audio Embedder / De-embedder

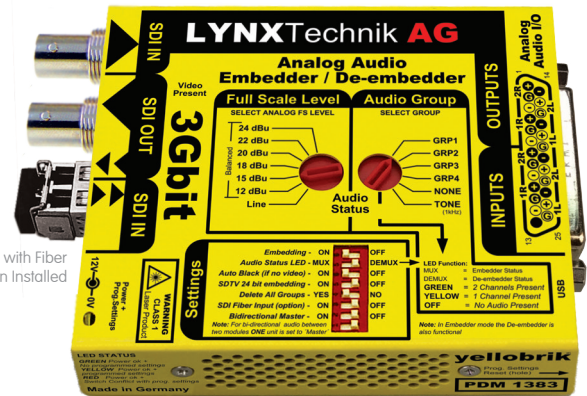
- Simultaneous embedding and de-embedding
- 3G SDI Level A and Level B support
- SDI video formats up to 3Gbit (1080p60)
- 4 x Analog audio inputs / outputs with selectable audio groups
- Optional Fiber I/O
- Integrated 1 kHz test tone generator
- Bidirectional audio transport mode possible
- Auto black if no video present
- Selectable SDTV 24 bit mode
- Video and Audio present LED indicators
- Internal full mono audio shuffling via yelloGUI

The PDM 1383 is a versatile analog audio embedder and de-embedder designed for a wide range of SDI video formats up to 3Gbit. Analog audio I/O is connected using a 25 pin SubD connector. (screw terminal adapter provided).

Audio groups are selected using the rotary switches, and its possible to embed and de-embed additional audio groups by cascading modules together. Simultaneous embedding and de-embedding means the module will de-embed and output the audio from the selected audio group before overwriting with new audio (if required).

The "auto black" mode uses a black video frame if no SDI input is present. This allows the module to embed audio even when no video source is available. This mode is useful if the module is being used in an "audio only" application.

SDI Fiber Transmitter Options			
Model	Description	Power	
OH-TX-1-LC / ST / SC	SFP Fiber TX - Singlemode - LC, ST or SC conn. - 10km	-5dBm (1310nm)	
SDI Fiber Receiver Options			
Model	Description	Sensitivity	
OH-RX-1-LC / ST / SC	SFP Fiber RX - Singlemode - LC, ST or SC connector	-16dBm	
SDI Fiber Transceiver Options			
Model	Description	Power	Sense
OH-TR-1	SFP Fiber RX/TX - Singlemode, LC Connector - 10km	-5dBm	-18dBm
OH-TR-0-850	SFP Fiber RX/TX - Multimode, LC Connector - 300m	-5dBm	-15dBm
SDI Fiber Bidirectional Transceiver Options			
Model	Description	Power	Sense
OH-BD-1-1310	SFP Fiber BiDi TR - Singlemode, LC Connector, 1310nm	-5dBm	-16dBm
OH-BD-1-1550	SFP Fiber BiDi TR - Singlemode, LC Connector, 1550nm	-5dBm	-16dBm
SDI CWDM Fiber Transmitter Options			
Model	Description	Power	
OH-TX-4-XXXX	CWDM SFP Fiber TX - Singlemode LC Conn. - 40km XXXX=Wavelength. 18 according to ITU T G692.2 1270nm through 1610nm	-1dBm	
SDI CWDM Fiber Transceiver Options			
Model	Description	Power	Sense
OH-TR-4-XXXX	CWDM SFP Fiber RX/TX - Singlemode LC Conn. - 40km XXXX=Wavelength. 18 according to ITU T G692.2 1270nm through 1610nm	-1dBm	-20dBm



Shown with Fiber SFP Option Installed

A 1 kHz test tone generator is included for audio testing purposes.

The module is also compatible with the yelloGUI software package, which provides access to a host of additional internal settings which includes manual insertion of metadata (AFD, WSS, VI)

An SDI fiber input and output is also provided with a variety of plug in SFP options available.



Technical Specifications

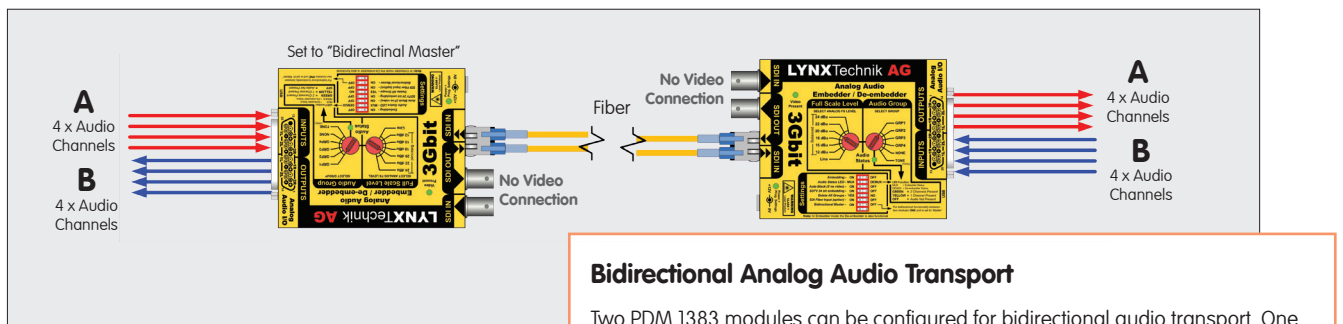
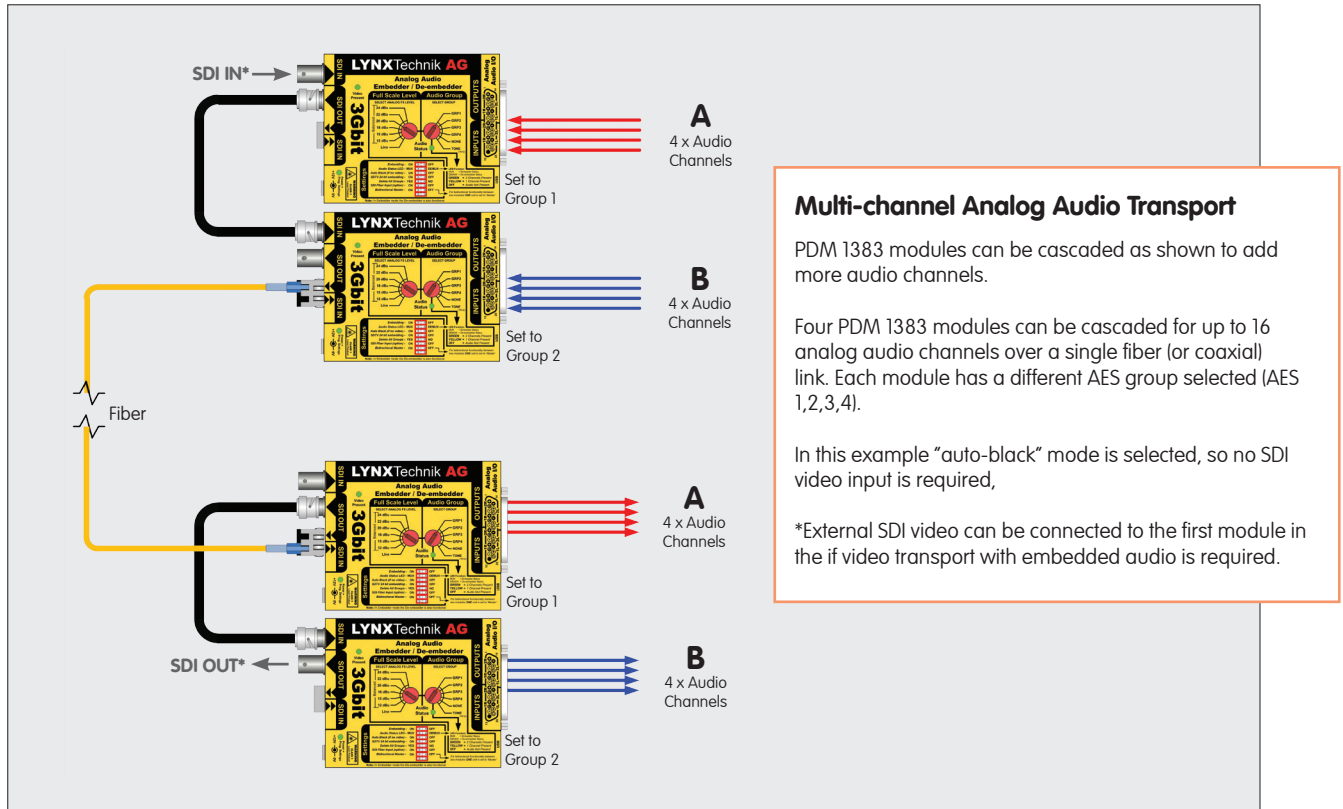
SDI Input	1 x SDI video on 75 Ohm BNC connector
	<p>SMPTE 424M, SMPTE 292M, SMPTE 259M 3G Level A & B-DL & B-DS according to SMPTE ST 425-1 and ST 425-2 (3D) with image formats 1280 x 720 and 1920 x 1080 For a detailed list of supported formats please refer to the article in our knowledge base (www.lynx-technik.com > support > tech.support)</p> <p>Multi-standard operation from 270Mbit/s to 3Gbit/s SDTV (525/625) 720p and 1080p (23.98/24/25/29.97/30/50/59.94/60 Hz) 1080psf (23.98/24/25/29.97/30 Hz) 1080i (50/59.94/60 Hz)</p> <p>Electrical Return Loss: >15dB from 5MHz to 1.5GHz, >10dB from 1.5GHz to 3GHz</p> <p>Automatic cable EQ (Belden 1694A cable) 340m @ 270Mbit/s, 150m @ 1.5Gbit/s, 120m @ 3Gbit/s</p>
Fiber I/O	<p>(optional) 1 x fiber optic input and output (see table)</p> <p>SMPTE 297M - 2006</p>
SDI Output	<p>1 x SDI video on 75 Ohm BNC connector</p> <p>SMPTE 424M, SMPTE 292M, SMPTE 259M For a detailed list of supported formats please refer to the article in our knowledge base (www.lynx-technik.com > support > tech.support)</p> <p>Electrical Return Loss: >15dB from 5MHz to 1.5GHz, >10dB from 1.5GHz to 3GHz</p>
Audio Inputs	<p>4 x analog audio inputs on 25 pin SubD Connector (10K Ohm)</p> <p>AES group selection provided via rotary switch</p>
Audio Outputs	<p>4 x analog audio outputs on 25 pin SubD Connector (150 Ohm)</p> <p>AES group selection provided via rotary switch</p>
Power	+12VDC @ 4.8W nominal - (supports 8 - 14VDC input range)
Physical	Size: 128mm x 90mm x 22mm (5.04" x 3.54" x 0.86") including connectors Weight: 200g (7.05oz)
Ambient	5 - 40°C (41 - 104°F) 90% Humidity (non condensing)
Model #	PDM 1383 - (EAN# 4250479359826)
Includes	Module, AC power supply, SubD adapter PCB

Specifications subject to change

PDM 1383 Applications

The basic SDI embedding and de-embedding applications for the PDM 1383 are somewhat obvious, but with the “auto-black” mode the modules can be used to transport audio signals only. This provides a very cost-effective way to transport multi-channel audio over fiber (or coax) without the need for dedicated audio A/D converters and external optical multiplexing. This when combined with the new “Bidirectional Master” functionality really expands the flexibility of the modules into dedicated audio applications.

Below are two examples of how the modules can be utilized for “audio only” transport over fiber.



Specifications subject to change