



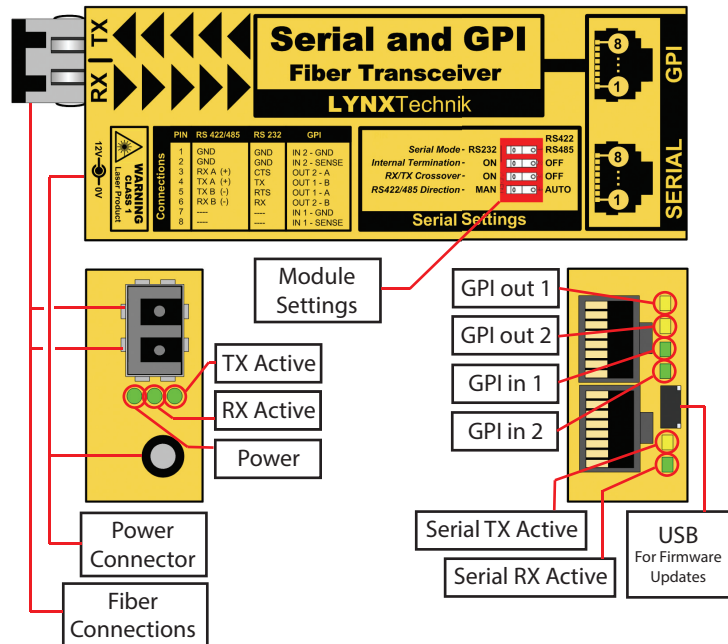
Technical Specifications

Serial I/O	EIA/ETA RS232C / RS422 / RS485 (selectable) - Connector - RJ45
	Baud rate - Auto sense and auto adjust from 300 to 460K
	Serial setting dip switch provides settings for: <ul style="list-style-type: none"> • Select RS232 / RS422/485 modes • Select serial termination (for end of line) • RX/TX crossover to flip the RX and TX if needed • Set RS422/485 data direction to automatic or manual if needed
	RS422/485 Max number of electrical nodes = 25, ESD protection up to 26kV
GPI I/O	2 x GPI inputs + 2 x GPO outputs - RJ45 Connector
	GPI Inputs: <ul style="list-style-type: none"> • External passive closure between pins (short) to trigger • Max input switching frequency 25Hz (50 operations / second) • Input insulation 3.75kV
	GPI outputs: <ul style="list-style-type: none"> • Internal contact closure (relay) • Max switching frequency 25Hz (50 operations / second) • Max switching power 220VDC / 0.25A or 250VAC / 0.25A • Output insulation 3.75kV
Fiber I/O	1 x fiber optic input (SMF) LC/PC Connection (Range 1270-1610nm, Sensitivity -3dBm to -23dBm) 1 x fiber optic output (SMF) LC/PC Connection CWDM (ITU-T G.694.2) 18 selectable wavelengths 1270,1290,1310,1330,1350,1370,1390,1410,1430,1450,1470,1490,1510,1530,1550,1570,1590,1610nm
	Max. distance 40km (24.8 miles - Singlemode)
Power	+12VDC @ 0.25A

We are constantly adding additional yellobrik modules. Please visit our website for the latest product updates.

www.lynx-technik.com

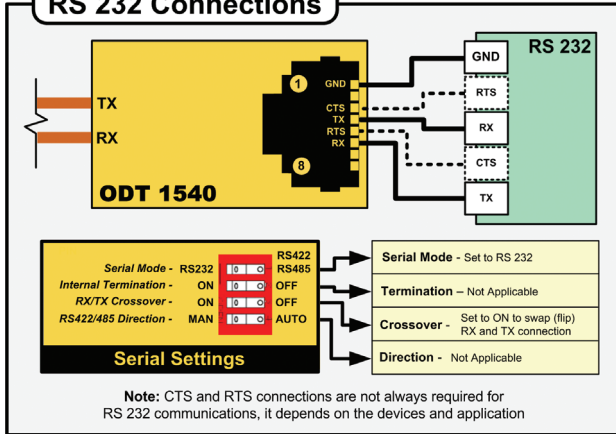
ODT 1540 Serial and GPI Fiber Transceiver (CWDM)



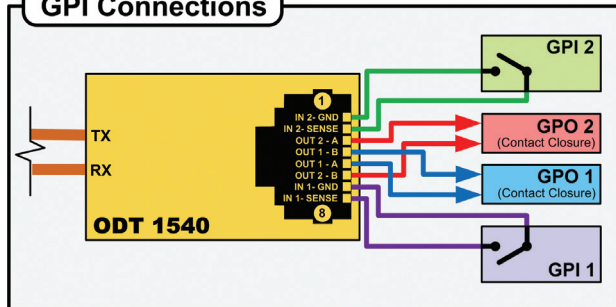
Connections

The ODT 1540 modules are designed to be used in pairs, one ODT 1540 connected to another in a remote location. The module supports Serial RS232/422 and RS485 in full and half duplex, the module also provides support for two GPI and GPO signals. Connection examples and recommended switch settings are shown below. Fiber connections use LC type connectors and two fiber links are needed, one for transmit and another for receive. The use of singlemode (SMF) fiber is mandatory for CWDM (multiplexed) applications.

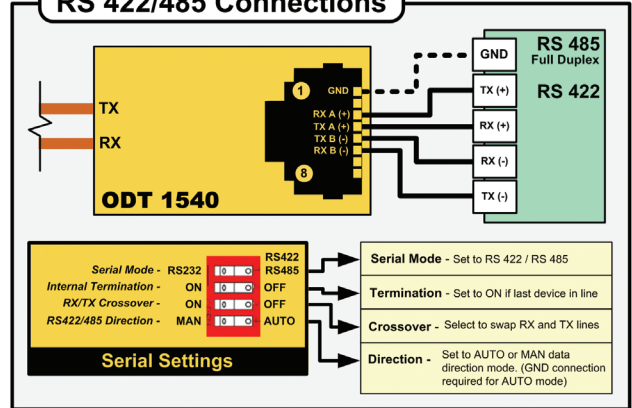
RS 232 Connections



GPI Connections



RS 422/485 Connections



RS 485 Connections - Half Duplex

