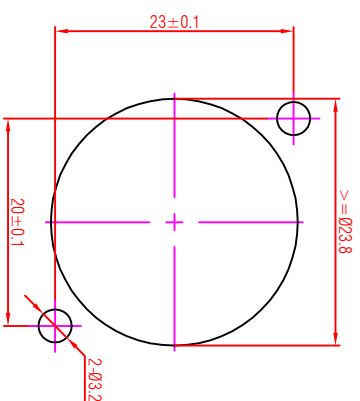
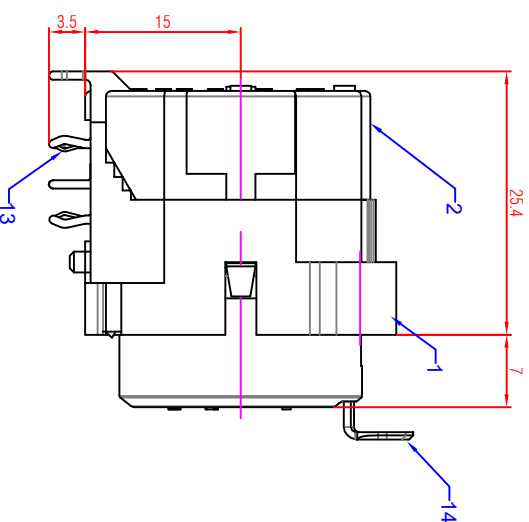
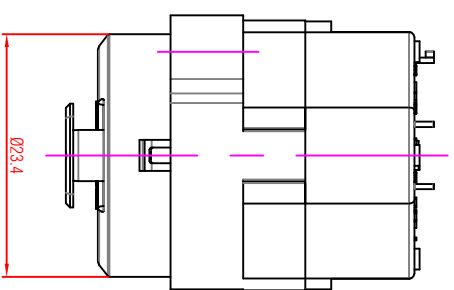
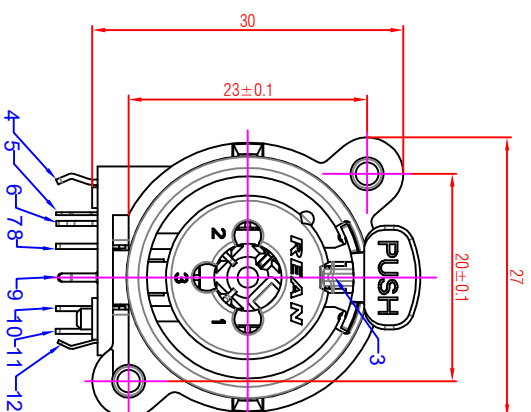
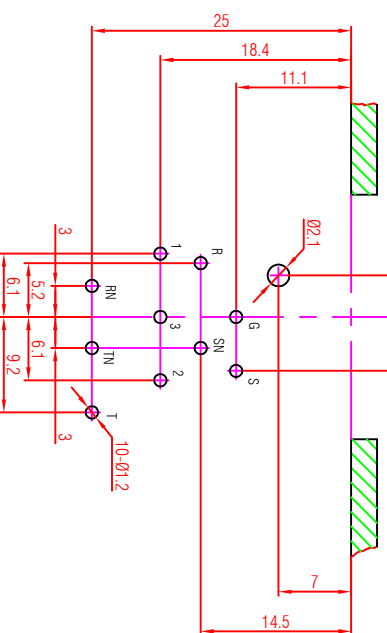


PANEL CUTOUT (FRONT SIDE)

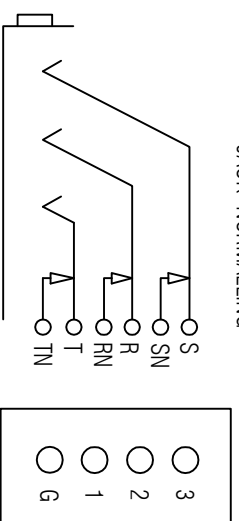


PCB LAYOUT (COMPONENT SIDE)



NORMALLING-SCHEMES

JACK - NORMALLING



14	PUSH LATCH	STEEL, NICKEL PLATED
13	CONTACT (3)	PHOSPHOR BRONZE, Ni+Au+Sn PLATED
12	CONTACT (1)	PHOSPHOR BRONZE, Ni+Au+Sn PLATED
11	CONTACT (R)	PHOSPHOR BRONZE, SILVER PLATED
10	CONTACT (RN)	PHOSPHOR BRONZE, SILVER PLATED
9	GROUND CONTACT (G)	PHOSPHOR BRONZE, SILVER PLATED
8	CONTACT (SN)	PHOSPHOR BRONZE, SILVER PLATED
7	CONTACT (TN)	PHOSPHOR BRONZE, SILVER PLATED
6	CONTACT (S)	PHOSPHOR BRONZE, SILVER PLATED
5	CONTACT (2)	PHOSPHOR BRONZE, Ni+Au+Sn PLATED
4	CONTACT (T)	PHOSPHOR BRONZE, SILVER PLATED
3	PUSH SPRING	STEEL, HEAT TREATMENT
2	COVER	PA6
1	HOUSING	PA6
NO	PART NAME	MATERIAL

Rev.	Revision Details	Date	Name	Title	Material	Scale	Designer	Date	Name
				THIS DOCUMENT IS THE PROPERTY OF RIEAUN. NO PART THEREOF MAY BE REPRODUCED AND USED WITHOUT THE PRIOR WRITTEN CONSENT OF THE OWNER.		2 : 1 (A3)	Checked:	2014.10.28	Abraham
							Approved:		
							Replaced By:		
							Replaces:		
							Drawing No.:		1

RIEAUN

RCJ9FI-H