

12G-SDI Fiber Optic Extender Kit

CB-1120



The CB-1120 12G-SDI Fiber Optic Extender is a transmitter/receiver kit supporting single-mode LC simplex fiber extensions up to 10km. It is a miniature-style extension solution that supports all SDI formats resolution up to 4K with audio and metadata. It features a local SDI loop out and dual SDI outputs and supports 12G/6G/3G/HD/SD-SDI signals.

Connections

Transmitter SDI Video Input

1×SD/HD/3G/6G/12G-SDI (75Ω BNC)

Receiver Fiber Optical Input

SFP module with LC connector

Power LED Indicator

Power and signal status

Transmitter SDI Loop Output

1×SD/HD/3G/6G/12G-SDI (75Ω BNC)

Receiver SDI Video Output

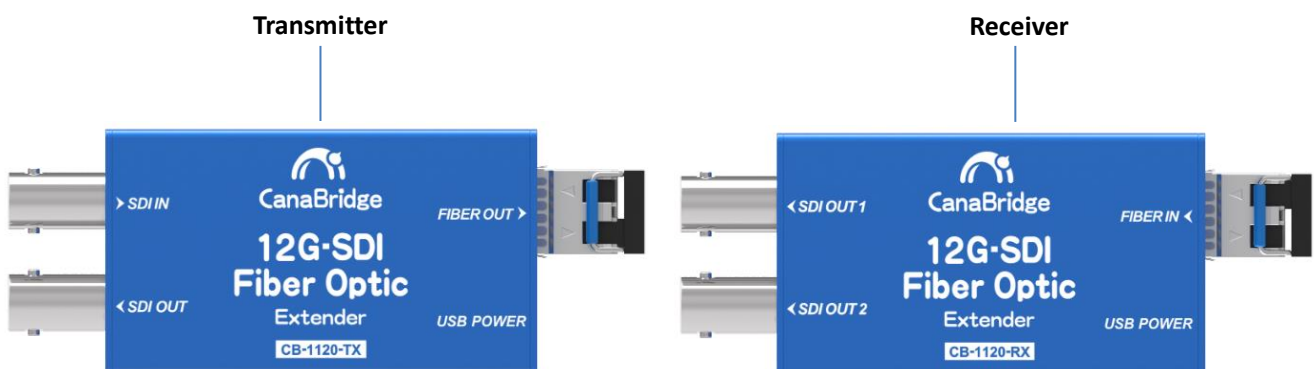
2×SD/HD/3G/6G/12G-SDI (75Ω BNC)

Transmitter Fiber Optical Output

SFP module with LC connector

Micro USB

Power



Functions and Standards

SDI Video Rate

SD/HD/3G/6G/12G-SDI

SDI Standard

SMPTE ST 259,
SMPTE ST 292-1,
SMPTE ST 424,
SMPTE ST 2081-1, ST 2082-1
DVB-ASI

SDI Auto Switching

Automatically detects SD, HD, 3G, 6G and 12G-SDI

SDI Equalization and Re-clocking

Yes

SDI Audio

Supports 32/16-channels embedded

Optical Specifications

Connector:	LC
Fiber type:	Single-mode
Wavelength:	1310nm
Output power:	-6 ~ -2dBm
Receiver sensitivity:	-10dBm (Max)
Receiver overload:	-2dBm (Min)

Power

Power	Power Consumption	Voltage Range
Micro USB	Transmitter: 2.0W, Receiver: 2.0W	DC 3.3-5.5V

Physical Specifications

Dimension

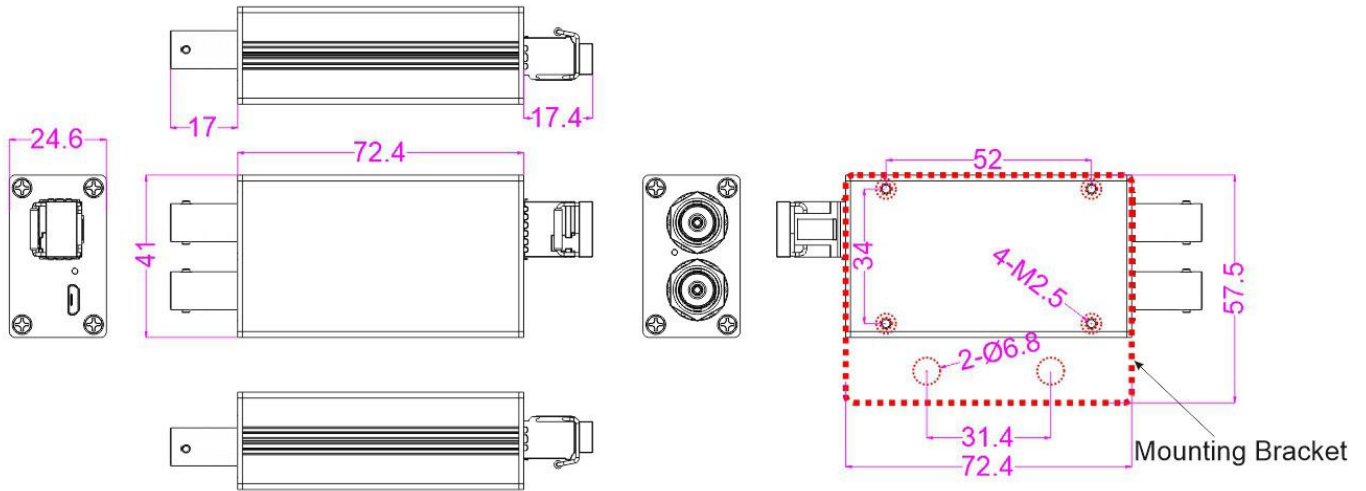
72.4×41×24.6mm

Net Weight

Transmitter: 115g, Receiver:115g

Gross Weight

960g



Environmental Specifications

Operating Temperature

0°C~60°C

Storage Temperature

-30°C~70°C

Relative Humidity

0%~90% non-condensing

What's Included

CB-1120-TX (12G-SDI Fiber Optic Extender Transmitter)

CB-1120-RX (12G-SDI Fiber Optic Extender Receiver)

2pcs DC 5V Universal Power Adapters with 5 International Socket Adapters

2pcs USB Cables

2pcs Mounting Brackets

◇ Note: due to constant effort to improve products and product features, specifications may change without notice.