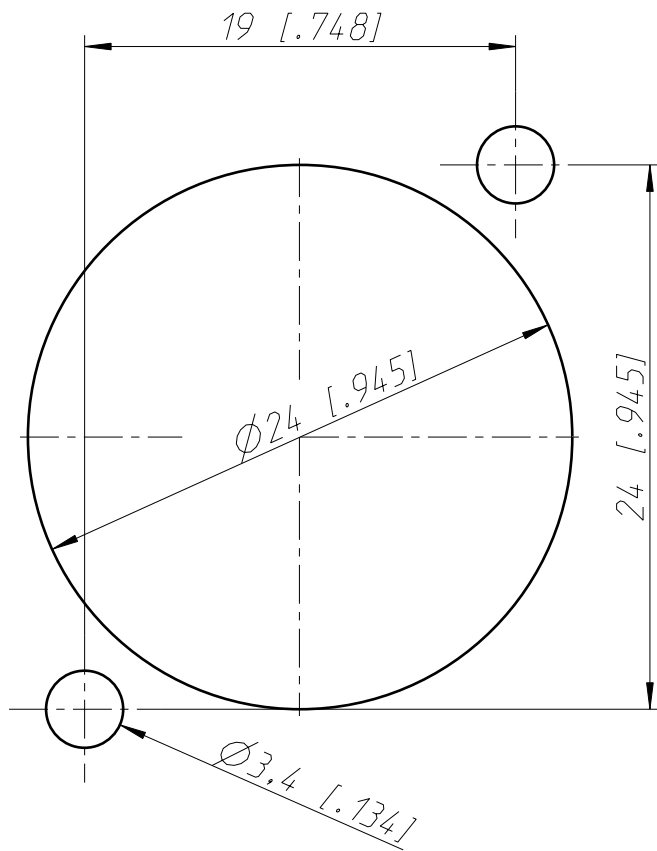


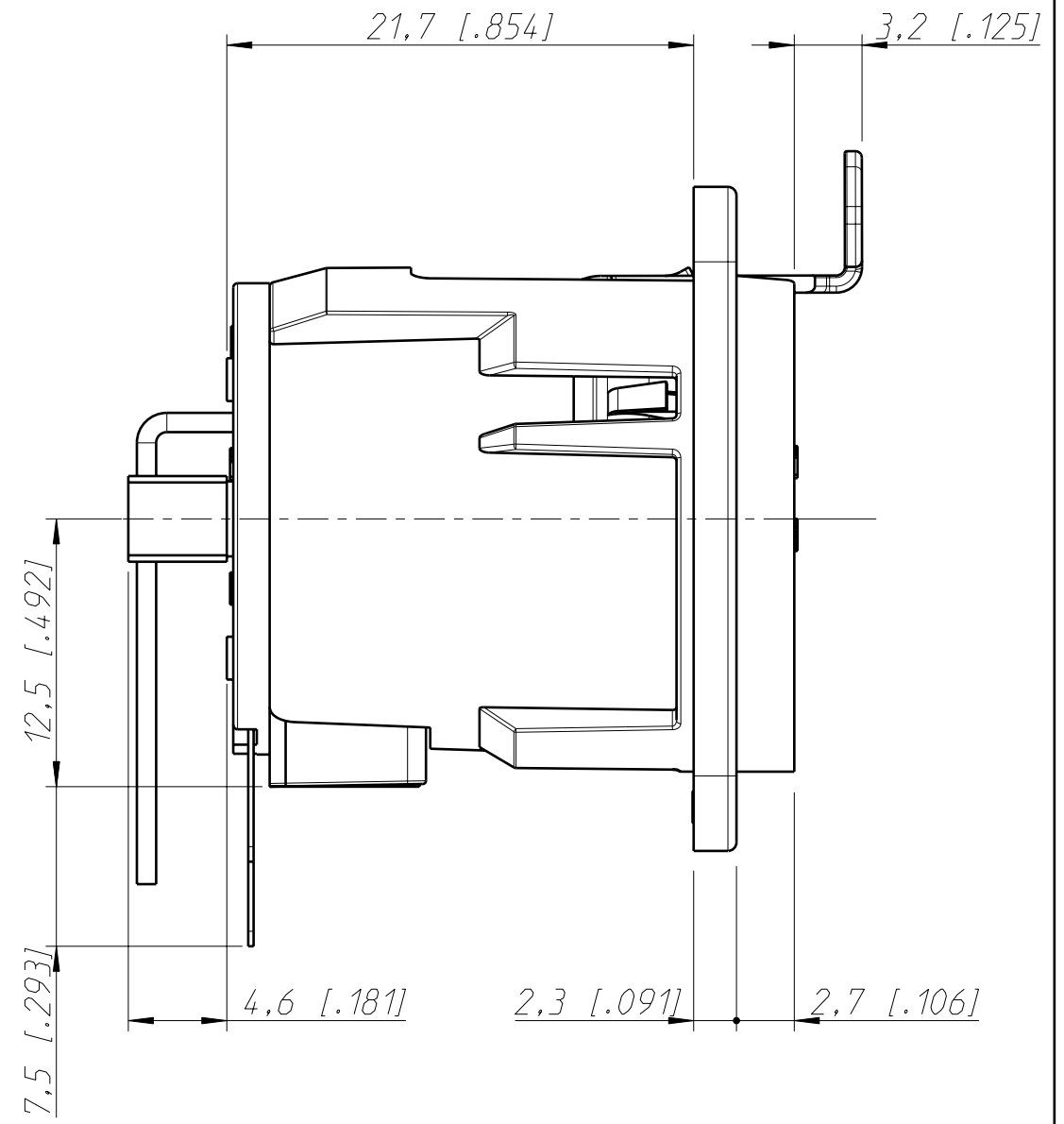
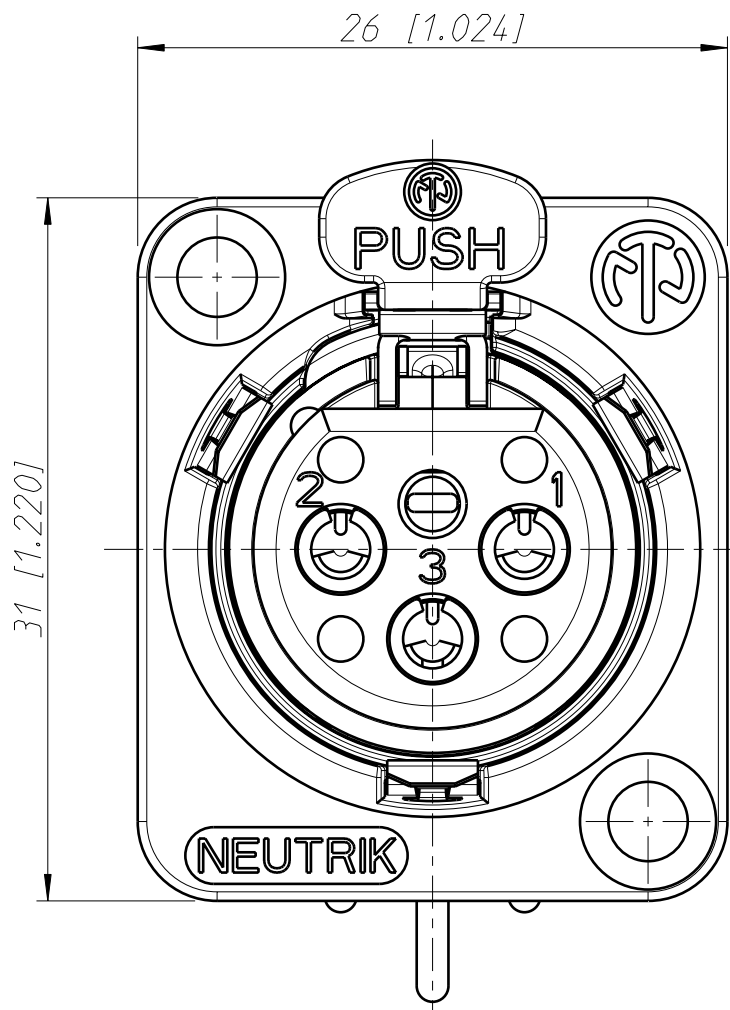
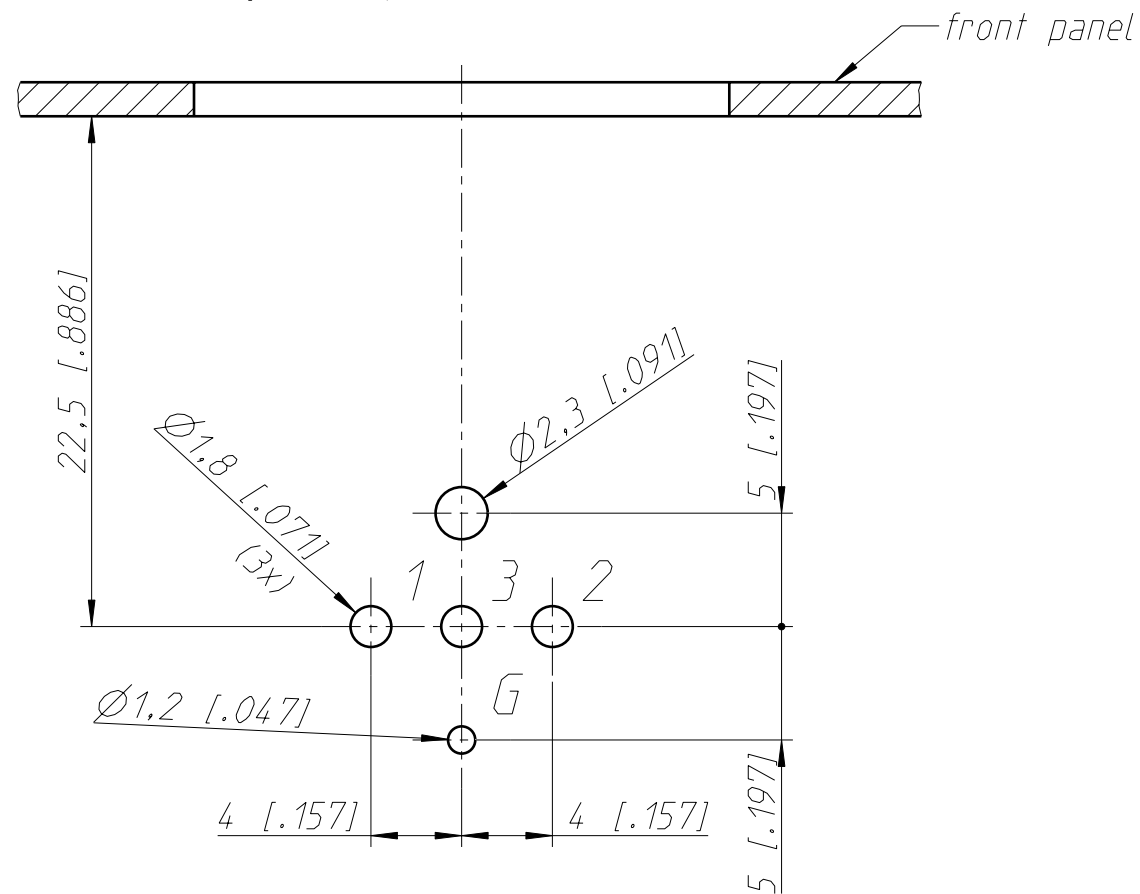
Frontplattenausschnitt (Rückseite)

Panel cut out (rear side)



Print-Bohrplan (Bestückungsseite)

PCB-Layout (component side)



| | | | |
|---------------------------------------|----------|-------------|-----------|
| General tolerances ISO 2768-m | Scale | Date | Name |
| Refer to protection notice ISO 16016. | 3:1 (A3) | 19.06.15 | Dobler |
| Name | | Modified | Hofmann |
| | | Change-No. | Sheet-No. |
| | | - | 1 / 1 |
| | | Index | B |
| Replacement for: | | Drawing-No. | |
| NEUTRIK | | ST-NC3FD-H | |